

CLEARANCE CUTTER FORM

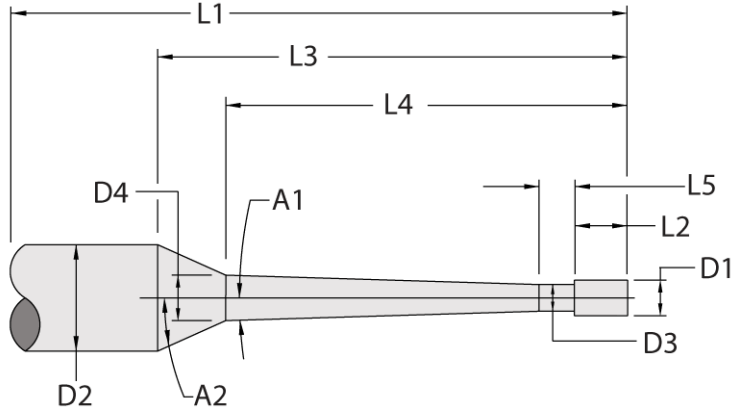
REQUEST FOR QUOTATION



PRECISION CUTTING TOOLS
Member IMC Group

5572 Fresca Drive, La Palma, CA 90623

Please complete the information below and submit your **CLEARANCE CUTTERS FORM**
If you have any questions contact one of our sales representatives at (562) 921 - 7898.



Spiral (Please Select)

RHS LHS

Helix Angle: _____

Material : Carbide

Coolant Fed (Please Select)

YES NO

Coating (Please Select)

Vulcan® Exxtral Carbon® Varianta Supral® Zirco Sistral TIN

Tolerances per Customer

D1	Diameter :		+	
			-	
D2	Shank Diameter :		+	
			-	
L2	Length of Cut :		+	
			-	
L1	Overall Length :		+	
			-	
	# of Flutes :			
L3	Overall Reach:		+	
			-	
L4	Tapered Reach :		+	
			-	
A1	Neck Angle :		+	
			-	
D3	Minor Neck Diameter :		+	
			-	
D4	Major Neck Diameter :		+	
			-	
L5	Neck Angle :		+	
			-	
A2	Wall Angle:		+	
			-	

Quantity: _____ Due Date: _____ Application: _____

Additional Information : _____

Company

Contact

Street

City, State, ZIP

Telephone

Fax

email

Customer Number

Signature

Date