

# DIE SINKING CUTTER FORM

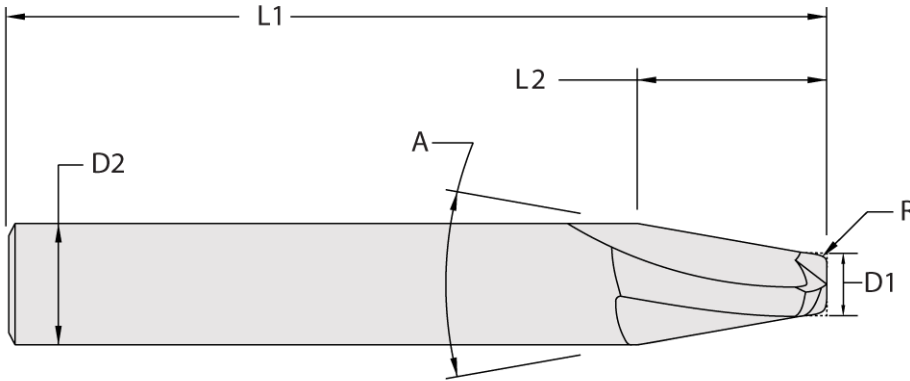
## REQUEST FOR QUOTATION



**PRECISION CUTTING TOOLS**  
Member IMC Group

5572 Fresca Drive, La Palma, CA 90623

Please complete the information below and submit your **DIE SINKING CUTTER FORM**. If you have any questions contact one of our sales representatives at (562) 921 - 7898.



Tolerances per Customer			
D1	Diameter :		+ -
D2	Shank Diameter :		+ -
L2	Length of Cut :		+ -
L1	Overall Length :		+ -
	# of Flutes :		
R	Radius :		+ -
A	Included Angle :		+ -

**Spiral** (Please Select )

RHS  LHS

Helix Angle: \_\_\_\_\_

**Material** : Carbide

**Coolant Fed** (Please Select )

YES  NO

**Coating** (Please Select )

Vulcan®  Exxtral Carbon®  Varianta Supral®  Zirco  TiCN  TiN

Quantity: \_\_\_\_\_ Due Date: \_\_\_\_\_ Application: \_\_\_\_\_

Additional Information: \_\_\_\_\_  
\_\_\_\_\_  
\_\_\_\_\_

Company

Contact

Street

City, State, ZIP

Telephone

Fax

email

Customer Number

Signature

Date