

# DOVETAIL CUTTER FORM

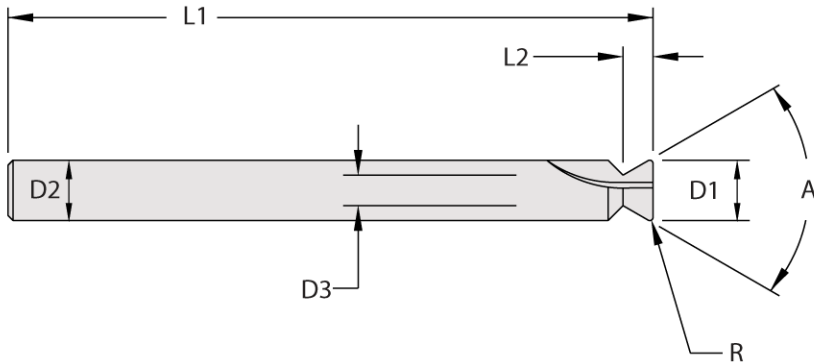
## REQUEST FOR QUOTATION



**PRECISION CUTTING TOOLS**  
Member IMC Group

5572 Fresca Drive, La Palma, CA 90623

Please complete the information below and submit your **DOVETAIL CUTTER FORM**. If you have any questions contact one of our sales representatives at (562) 921 - 7898.



**Spiral** (Please Select )

RHS  LHS

Helix Angle: \_\_\_\_\_

**Material** : Carbide

**Coolant Fed** (Please Select )

YES  NO

**Coating** (Please Select )

Vulcan®  Exxtral Carbon®  Varianta Supral®  Zirco  Sistral  TiN

Quantity: \_\_\_\_\_ Due Date: \_\_\_\_\_ Application: \_\_\_\_\_

Additional Information: \_\_\_\_\_  
\_\_\_\_\_  
\_\_\_\_\_

### Tolerances per Customer

D1	Diameter :		+	
			-	
D2	Shank Diameter :		+	
			-	
L2	Length of Cut:		+	
			-	
L1	Overall Length :		+	
			-	
	# of Flutes :			
R	Radius:		+	
			-	
A	Included Angle :		+	
			-	
D3	Neck Diameter :		+	
			-	

Company

Contact

Street

City, State, ZIP

Telephone

Fax

email

Customer Number

Signature

Date