

# FINE PITCH BALL ROUGHER FORM

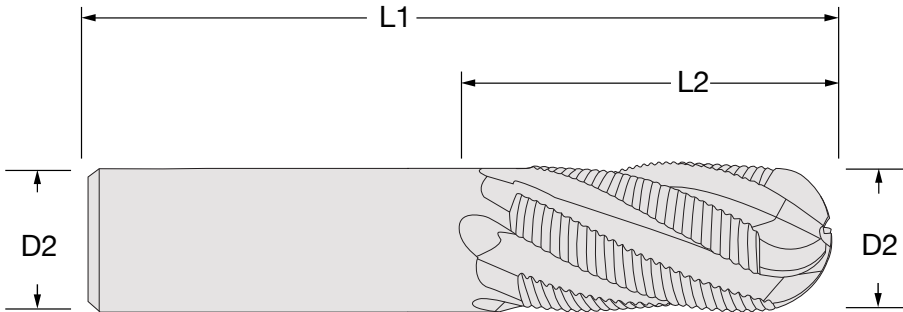
## REQUEST FOR QUOTATION



**PRECISION CUTTING TOOLS**  
Member IMC Group

5572 Fresca Drive, La Palma, CA 90623

Please complete the information below and submit your **FINE PITCH BALL FORM**  
If you have any questions contact one of our sales representatives at (562) 921 - 7898.



Tolerances per Customer			
D1	Diameter :		+ -
D2	Shank Diameter :		+ -
L2	Length of Cut :		+ -
L1	Overall Length :		+ -
# of Flutes :			

**Material** (Please Select )

- Carbide  HSS  Cobalt  Powder Metal

**Spiral** (Please Select )

- RHS  LHS

Helix Angle: \_\_\_\_\_

**Coating** (Please Select )

- Vulcan®  Exxtral Carbon®  Varianta Supral®  Zirco  Sistral  TiN

Quantity: \_\_\_\_\_ Due Date: \_\_\_\_\_ Application: \_\_\_\_\_

Additional Information: \_\_\_\_\_

Company

Contact

Street

City, State, ZIP

Telephone

Fax

email

Customer Number

Signature

Date