

FOUR MARGIN STRAIGHT FLUTE STEP DRILL FORM

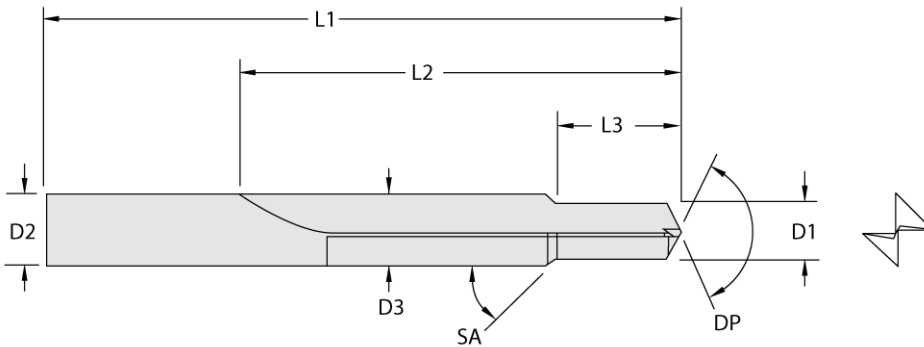
REQUEST FOR QUOTATION



PRECISION CUTTING TOOLS
Member IMC Group

5572 Fresca Drive, La Palma, CA 90623

Please complete the information below and submit your **FOUR MARGIN STRAIGHT FLUTE STEP DRILL FORM**. If you have any questions contact one of our sales representatives at (562) 921 - 7898.



Tolerances per Customer			
D1	Diameter :		+ -
D2	Shank Diameter :		+ -
L2	Flute Length :		+ -
L1	Overall Length :		+ -
	# of Flutes :		
SA	Step Angle :		+ -
DP	Point Angle :		+ -
L3	Step Length :		+ -
D3	Drill Diameter :		+ -

Spiral (Please Select)

RHS LHS

Helix Angle: _____

Material : Carbide

Coolant Fed (Please Select)

YES NO

Coating (Please Select)

Variantic® Exxtral Carbon® Varianta Supral® Zirco Sistral TiN

Quantity: _____ Due Date: _____ Application: _____

Additional Information: _____

Company

Contact

Street

City, State, ZIP

Telephone

Fax

email

Customer Number

Signature

Date