

STEP REAMER FORM

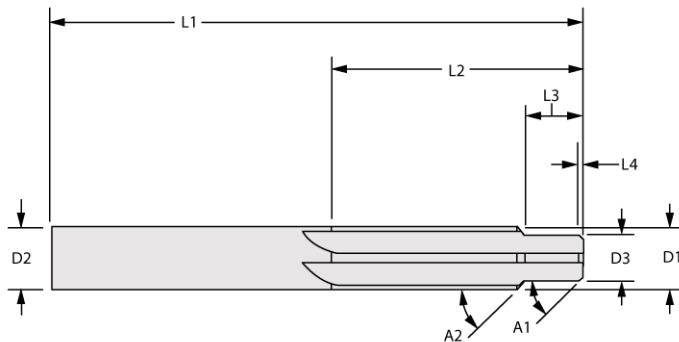
REQUEST FOR QUOTATION



PRECISION CUTTING TOOLS
Member IMC Group

5572 Fresca Drive, La Palma, CA 90623

Please complete the information below and submit your **STEP REAMER FORM**. If you have any questions contact one of our sales representatives at (562) 921 - 7898.



Spiral (Please Select)

RHS LHS

Helix Angle: _____

Material : Carbide

Coating (Please Select)

Vulcan® Exxtral Carbon® Varianta Supral® Zirco Sistral TiN

Quantity: _____ Due Date: _____ Application: _____

Additional Information: _____

Tolerances per Customer

D1	Diameter :		+	
			-	
D2	Shank Diameter :		+	
			-	
L2	Length of Cut :		+	
			-	
L1	Overall Length :		+	
			-	
	# of Flutes :			
A1	Chamfer Angle :		+	
			-	
L3	Step Length:		+	
			-	
A2	Step Angle :		+	
			-	
L4	Chamfer Length :		+	
			-	
D3	Pilot Diameter :		+	
			-	

Company

Street

Telephone

Customer Number

Contact

City, State, ZIP

Fax

email

Signature

Date