

# STRAIGHT FLUTE DRILL FORM

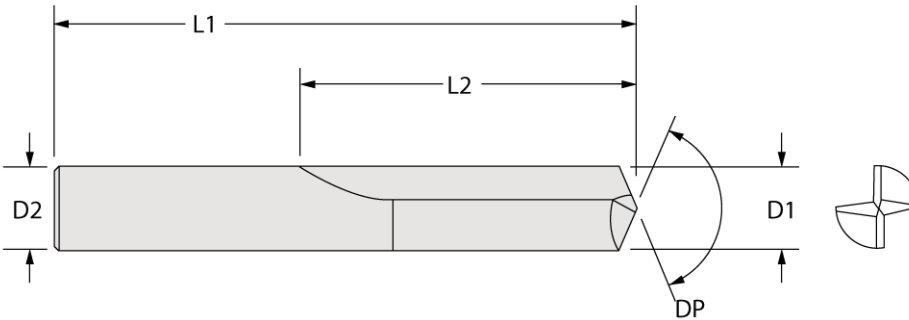
## REQUEST FOR QUOTATION



**PRECISION CUTTING TOOLS**  
Member IMC Group

5572 Fresca Drive, La Palma, CA 90623

Please complete the information below and submit your **STRAIGHT FLUTE DRILL FORM** If you have any questions contact one of our sales representatives at (562) 921 - 7898.



Tolerances per Customer			
D1	Diameter :		+ -
L2	Length of Flute:		+ -
L1	Overall Length :		+ -
	# of Flutes :		
DP	Drill Point Angle :		+ -
D2	Shank Diameter :		+ -

**Spiral** (Please Select )

RHS  LHS

Helix Angle: \_\_\_\_\_

**Material** : Carbide

**Coolant Fed** (Please Select )

YES  NO

**Coating** (Please Select )

Vulcan®  Exxtral Carbon®  Varianta Supral®  Zirco  Sistral  TiN

Quantity: \_\_\_\_\_ Due Date: \_\_\_\_\_ Application: \_\_\_\_\_

Additional Information: \_\_\_\_\_

Company

Contact

Street

City, State, ZIP

Telephone

Fax

email

Customer Number

Signature

Date