

TRUNCATED BALL ROUGHER FORM

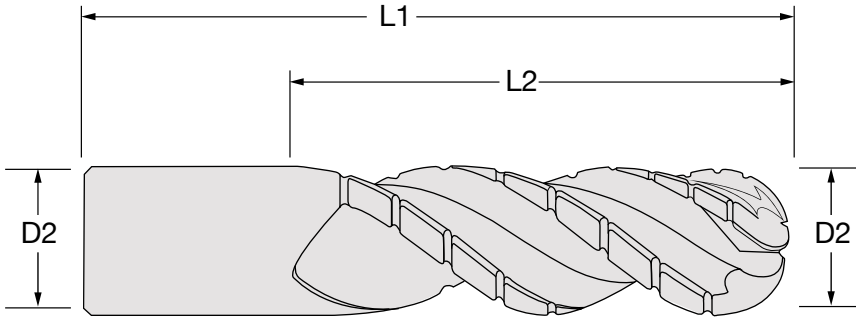
REQUEST FOR QUOTATION



PRECISION CUTTING TOOLS
Member IMC Group

5572 Fresca Drive, La Palma, CA 90623

Please complete the information below and submit your **TRUNCATED BALL ROUGHER FORM** If you have any questions contact one of our sales representatives at (562) 921 - 7898.



Tolerances per Customer			
D1	Diameter :		+ -
D2	Shank Diameter :		+ -
L2	Length of Cut :		+ -
L1	Overall Length :		+ -
	# of Flutes :		

Material (Please Select)

- Carbide HSS Cobalt Powder Metal

Spiral (Please Select)

- RHS LHS

Helix Angle: _____

Coating (Please Select)

- Vulcan® Exxtral Carbon® Varianta Supral® Zirco Sistral TiN

Quantity: _____ Due Date: _____ Application: _____

Additional Information: _____

Company

Contact

Street

City, State, ZIP

Telephone

Fax

email

Customer Number

Signature

Date